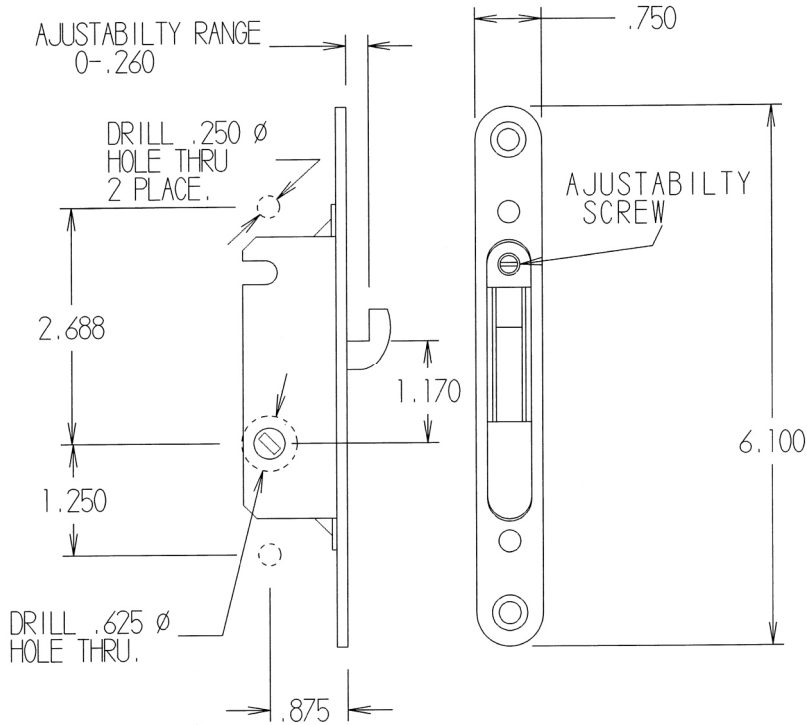


The #3 Mechanism

Will withstand forced entry loads of 1,000 pounds. • Steel or Stainless Steel.
Adjustable Hook. • 45 Degree Hub.

#3-45-S-14AD Mortise Lock (Standard on most units)



14 LOCK ADAPTER (STD)
(USE WITH # 3 MORTISE LOCK)
.FLAT

STEEL (YZD) OR STAINLESS STEEL.

.125 THICK.

