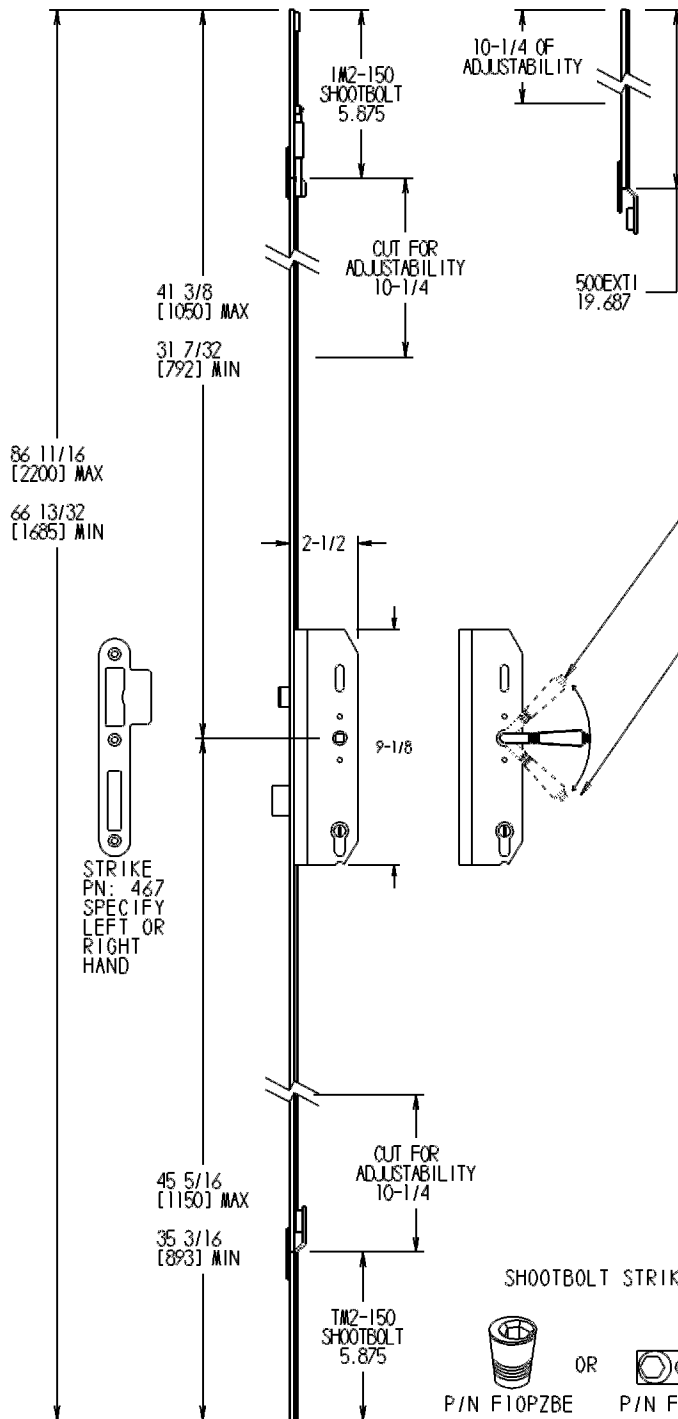


#7003; 3-Point Entrance Mortise Mechanism Stainless Steel Without Roller Cams



* ALL DADDO GROOVES MUST BE FREE OF ANY PARTICULATE OR SAWDUST BEFORE AND AFTER INSTALLATION.

*Three locking points consisting of latch, deadbolts and top & bottom shootbolts.

*Use for active door or window.

*Material: Stainless Steel.

Function: to lock:

*Lifting the lever up engages deadbolt and shootbolts. Turning the cylinder - extends deadbolt and locks all points into place.

To unlock:

*Turn cylinder to unlock all points. Pushing the lever down will disengage deadbolt and shootbolts. Note: latch functions in unlocked position.

* 1 3/4" (45. mm) Backset

Faceplate:

* 5/8" (16. mm) width

*Minimum height door: 66 31/32 [1700].
Maximum height door: 86 11/16 [2200] w/o add-ons.

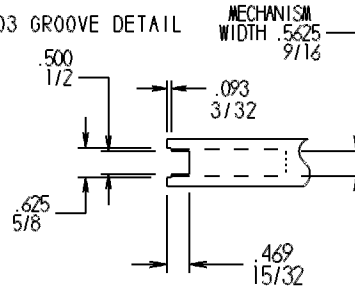
Extensions available for taller doors.

For 8' doors add one (1) 19 11/16 [500. mm] extension with (500EXT1RC) or without (500EXT1) roller cam.

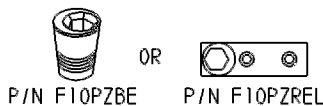
For 10' doors add two (2) 19 11/16 [500. mm] extensions.

For doors taller than 10 feet simply add more extensions.

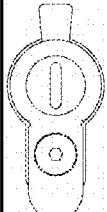
7003 GROOVE DETAIL



SHOOTBOLT STRIKE



Other Hardware Manufacturers Trims that will fit:
Baldwin Door Configuration #D02
Emtek Door Configuration #1



AMERICAN CYLINDER ADAPTER
PART #7000ACA
CONVERT PROFILE CYLINDER MECHANISMS TO ACCEPT AMERICAN TYPE KEY CYLINDERS HAVING FLAT TAB CYLINDER TAILS.
\$25
(SEE PAGE 153)