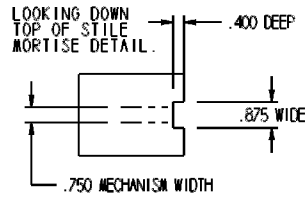
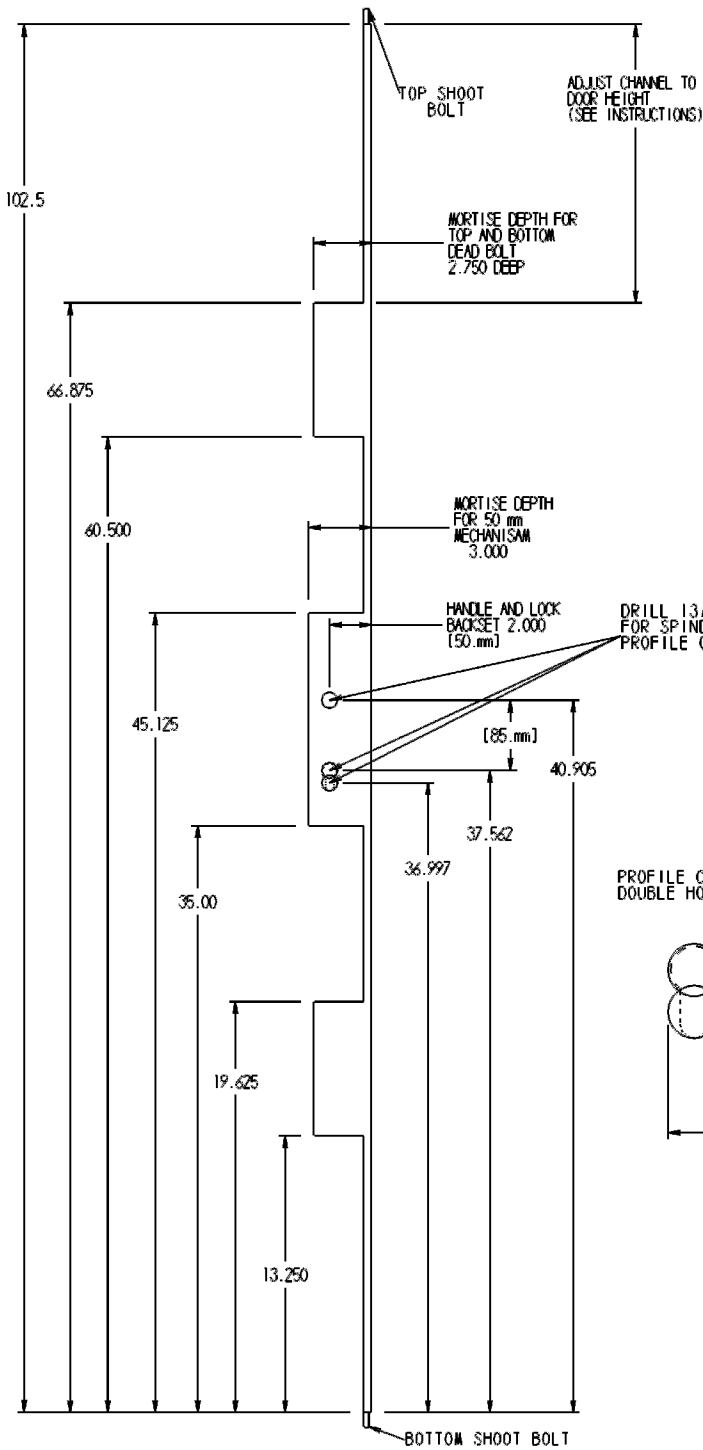
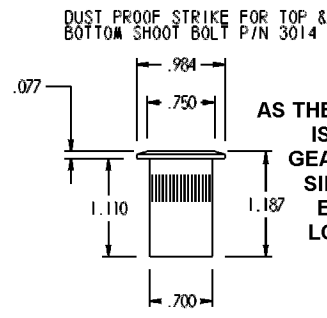
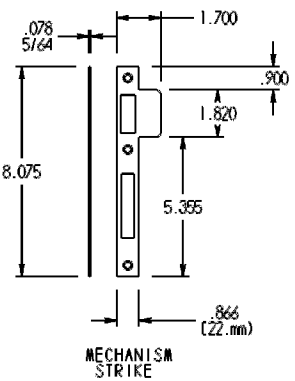
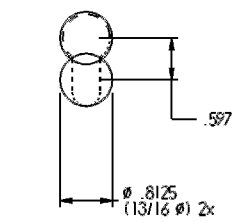
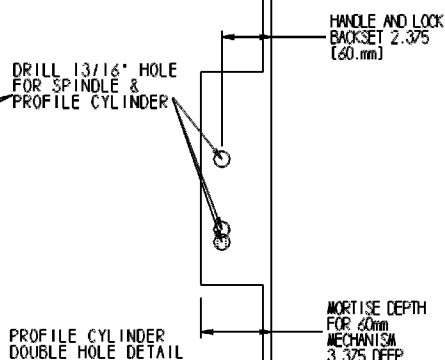
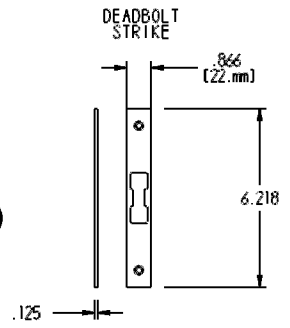


#1089; 5 Point Lock Milling Details

50mm BACKSET (2")



60mm BACKSET (2-3/8")



**TO OPERATE:
AS THE PROFILE CYLINDER
IS ROTATED, THE
GEARED MECHANISM
SIMULTANEOUSLY
ENGAGES ALL 5
LOCKING POINTS.**