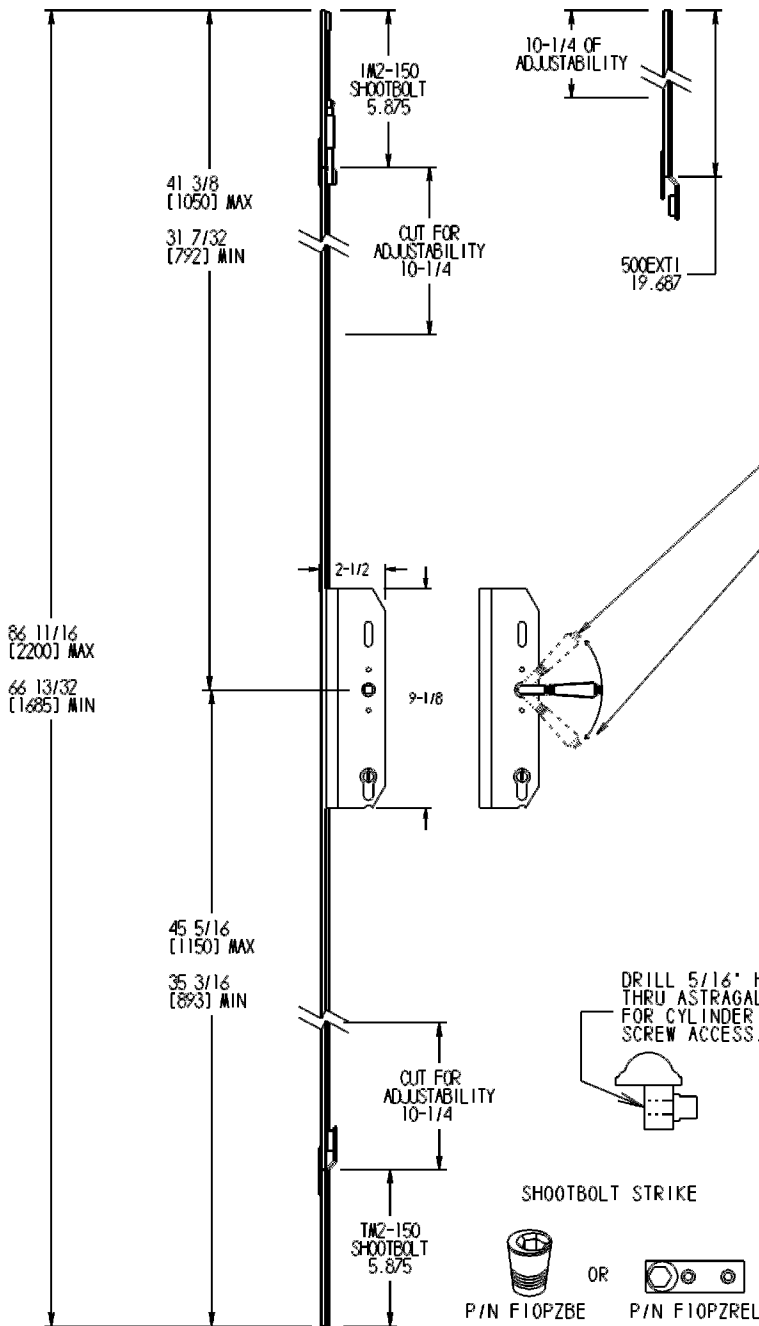


#7002; 2-Point Inactive Entrance Mortise Mechanism Stainless Steel



* ALL DADOE GROOVES MUST BE FREE OF ANY PARTICULATE OR SAWDUST BEFORE AND AFTER INSTALLATION.

* Two locking points consisting of top and bottom shootbolts.

* Use for inactive door or window.

* Material Stainless Steel.

* Function:

To lock:
Lifting the lever up engages shootbolts.
Turning the cylinder locks all points into place.

To Unlock:
Turn the cylinder to unlock all points.
Pushing the lever down will disengage shootbolts.

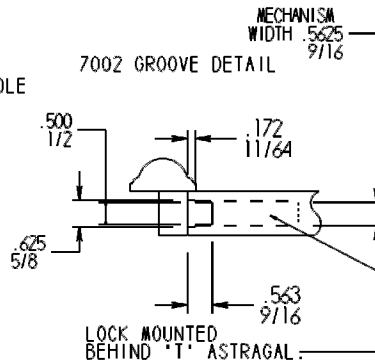
* Face plate: 5/8" (16mm) Width

* Minimum height door: 66 31/32 [1700].
Maximum height door: 86 11/16 [2200]
w/o add-ons.

Extensions available for taller doors.
For 8' doors add one (1) 19 11/16
[500. mm] extension.

For 10' doors add two (2) 19 11/16
[500. mm] extension.

For doors taller than 10 feet simply add more extensions.



DRILL 5/16" HOLE
THRU ASTRAGAL
FOR CYLINDER
SCREW ACCESS.

SHOOTBOLT STRIKE



P/N F10PZBE

P/N F10PZREL

Other Hardware Manufacturers Trims that will fit:
Baldwin Door Configuration #D02
Emtek Door Configuration #1

**AMERICAN
CYLINDER
ADAPTER**
PART #7000ACA
CONVERT PROFILE
CYLINDER MECHANISMS TO
ACCEPT AMERICAN TYPE KEY
CYLINDERS HAVING FLAT TAB
CYLINDER TAILS.
\$25
(SEE PAGE 153)