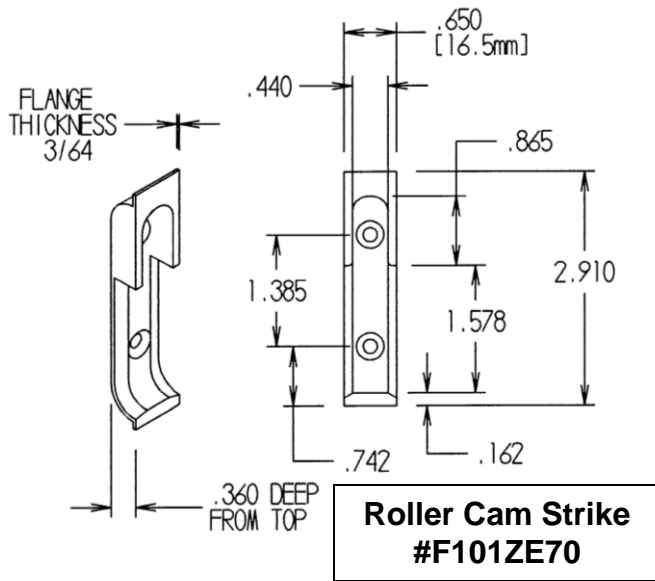
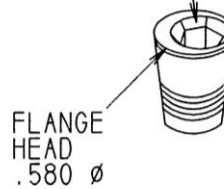


System 7002 and 7003 - Various Strikes.

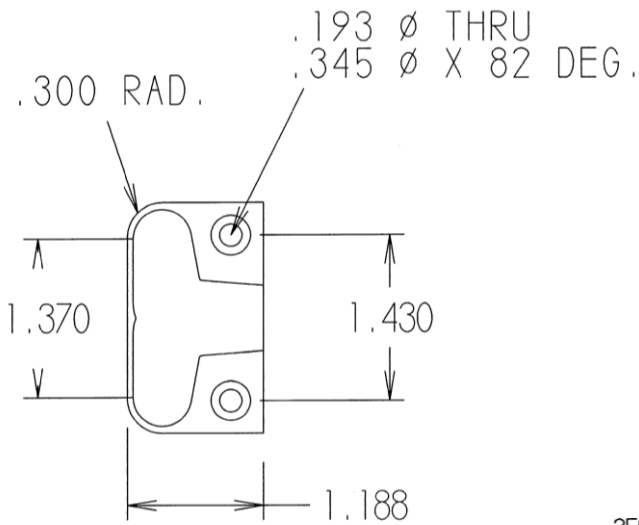


USING 8mm HEX WRENCH
CAM ADJUSTABILITY IS 5/64

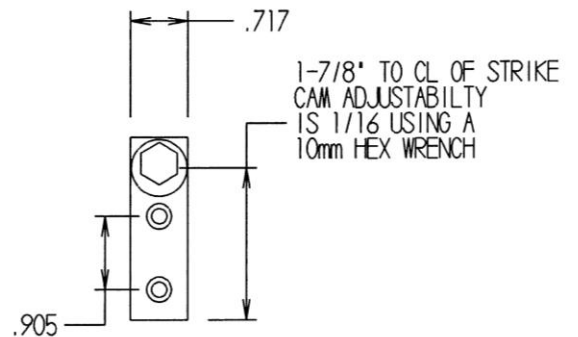
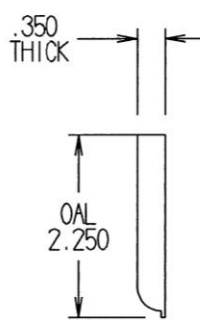


DRILL 1/2 FULL Ø 7/8 DEEP TO INSTALL STRIKE.

Roller Cam Strike #F101ZE70



Roller Cam Strike #F101ZE80



Roller Cam Strike #F101ZREL