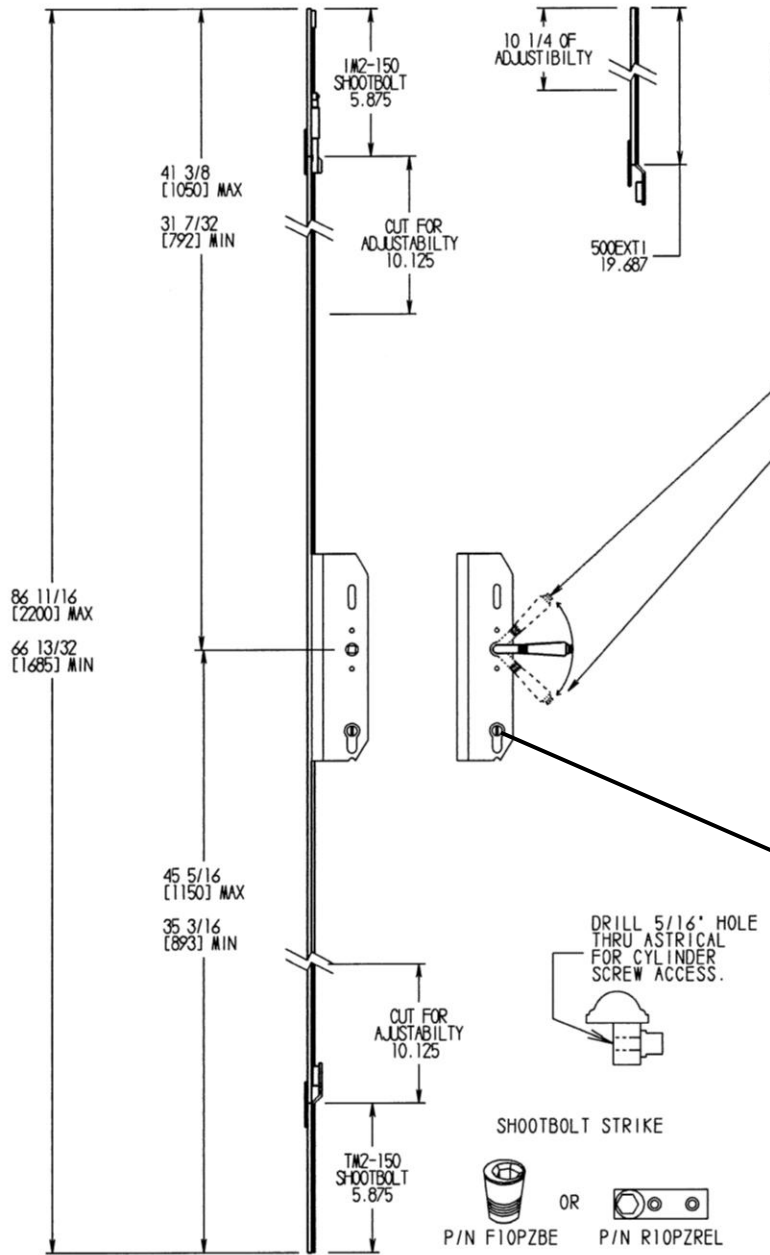


#7002; 2 Point Stainless Steel Entrance Lock



* ALL DADOE GROOVES MUST BE FREE OF ANY PARTICULATE OR SAWDUST BEFORE AND AFTER INSTALLATION.

* Two locking points consisting of top and bottom shootbolts.

* use for inactive door or window.

* Material Stainless Steel.

* Function:

To lock:
Lifting the lever up engages shootbolts.
Turning the cylinder locks all points into place.

To Unlock:
Turn the cylinder to unlock all points.
pushing the lever down will disengage shootbolts.

* 1 7/8" (47.5mm) Backset

* Face plate: 5/8" (16mm) Width

* Minimum height door: 66 31/32 [1700].
Maximum height door: 86 11/16 [2200]
w/o add-ons.

Extensions available for taller doors.

For 8' doors add one (1) 19 11/16

[500. mm] extension.

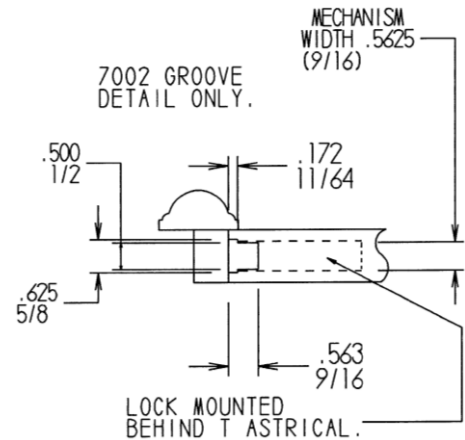
For 10' doors add two (2) 19 11/16

[500. mm] extension.

For doors taller than 10 feet simply add more extensions.

7002 Groove Detail

7002 GROOVE
DETAIL ONLY.



American Style Cylinder Adapter.
Removable for Profile Cylinders.
Part Number 7000S ACA
List Price \$15.00

