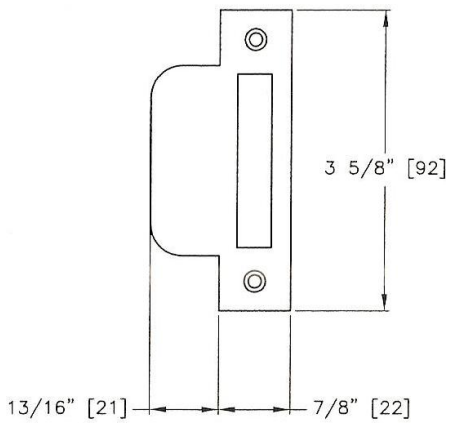
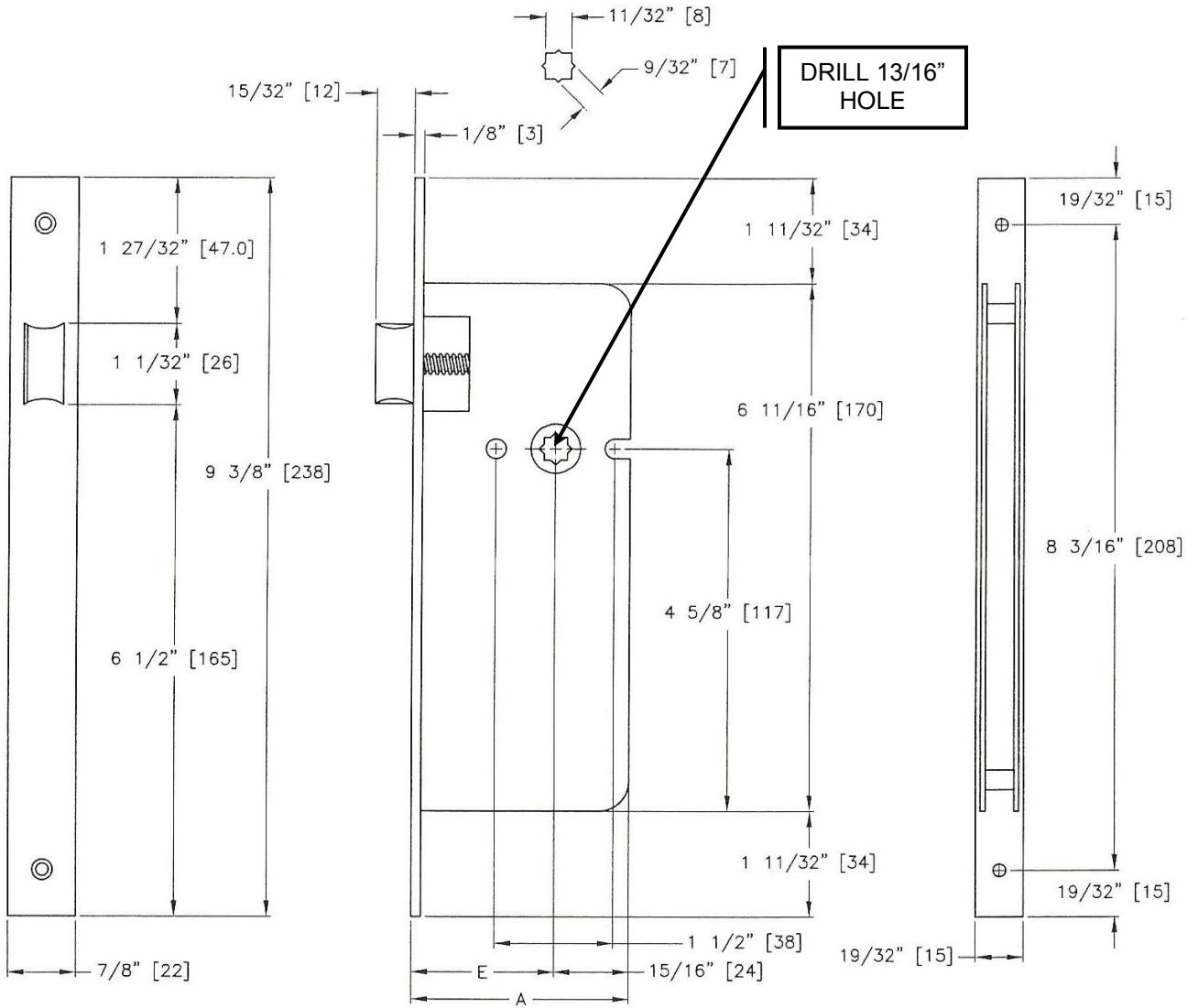
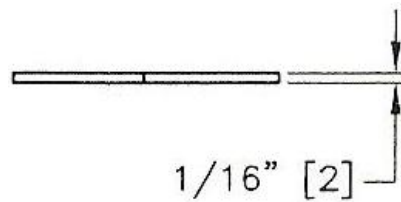


# The #2160 Passage Mechanism.



**Strike for #2160 Mechanism**  
**Part number 356**



	Inches [mm]					
$E = \text{Backset}$	$1 \frac{9}{16}$ " [40]	$1 \frac{3}{4}$ " [45]	$1 \frac{31}{32}$ " [50]	$2 \frac{3}{8}$ " [60]	$2 \frac{3}{4}$ " [70]	$3 \frac{5}{32}$ " [80]
$A = E + [24]$	$2 \frac{1}{2}$ " [64]	$2 \frac{23}{32}$ " [69]	$2 \frac{29}{32}$ " [74]	$3 \frac{5}{16}$ " [84]	$3 \frac{11}{16}$ " [94]	$4 \frac{3}{32}$ " [104]