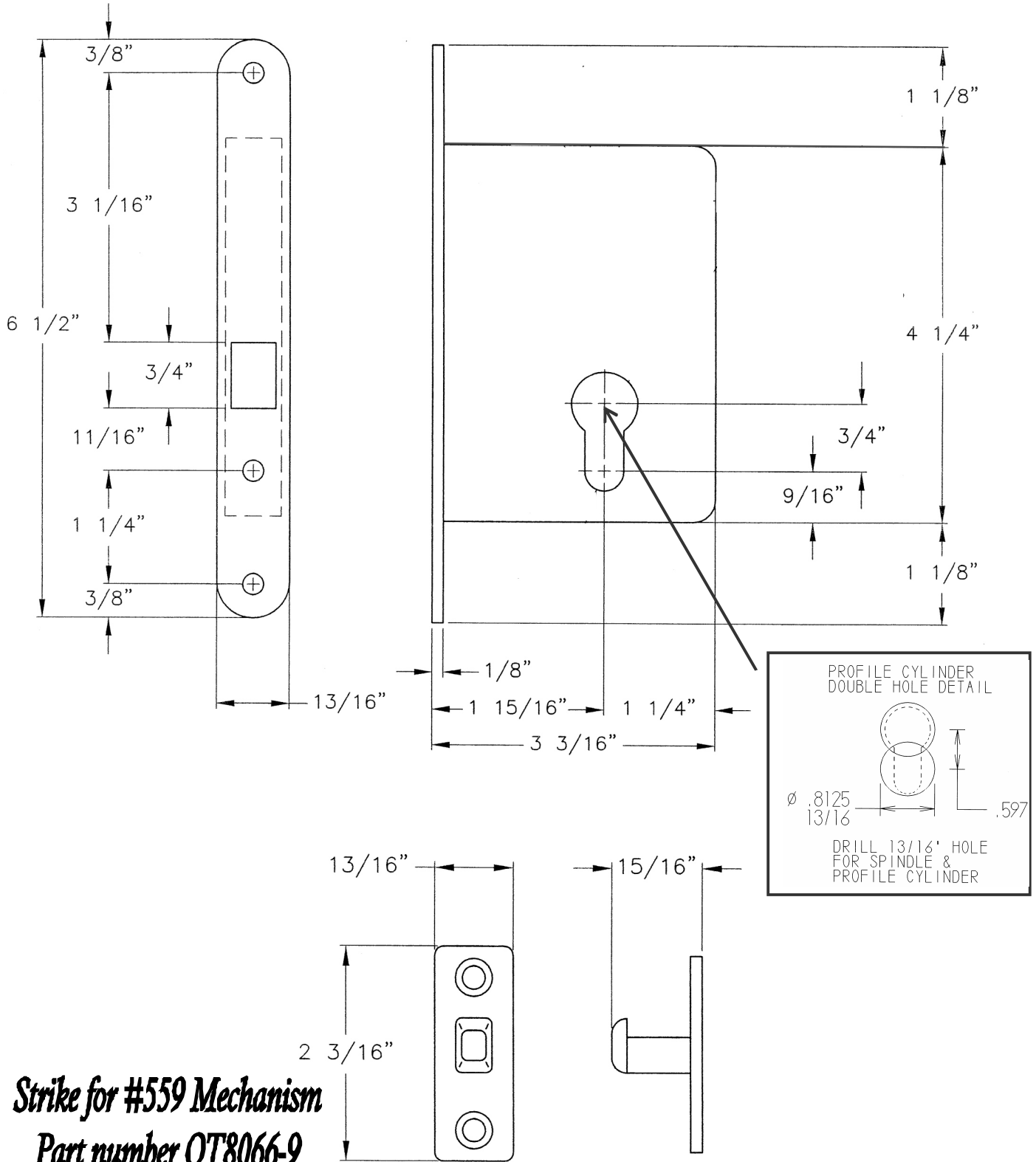


The #559 Mechanism.

Lock will latch when closed and unlatch automatically when door is pulled upon.



Strike for #559 Mechanism
Part number OT8066-9