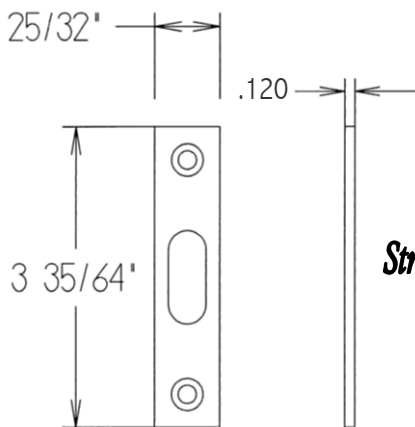
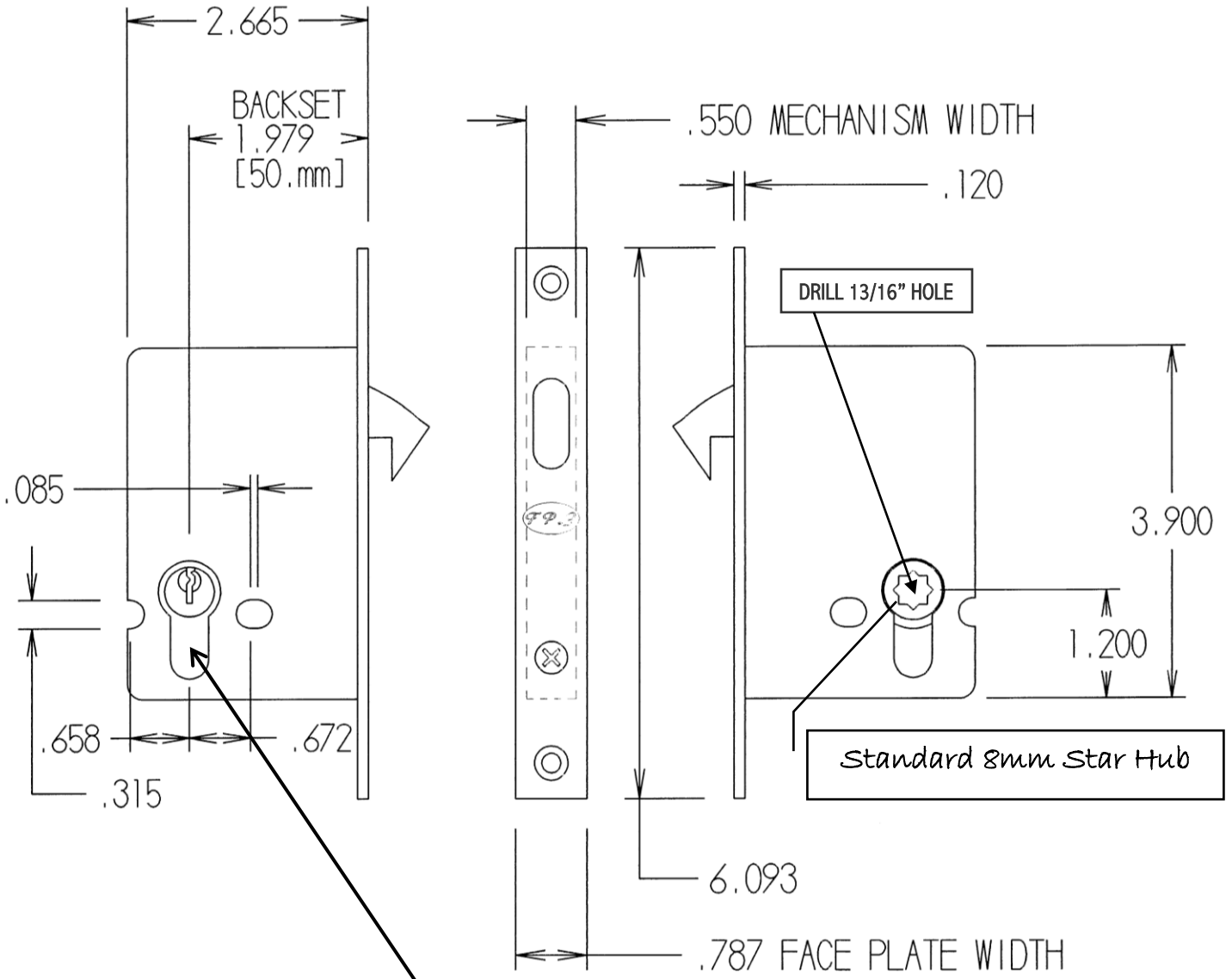


The #552 Mechanism.



Strike for #552 Mechanism
Part number 552-SK

