

System 6800

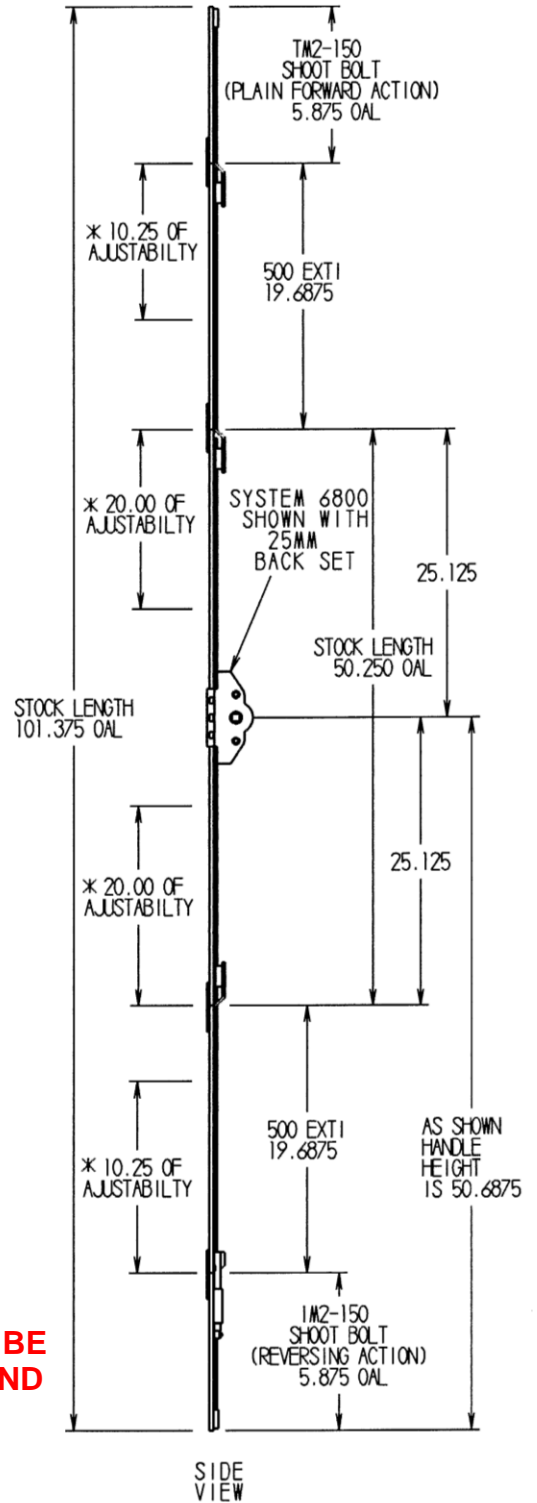
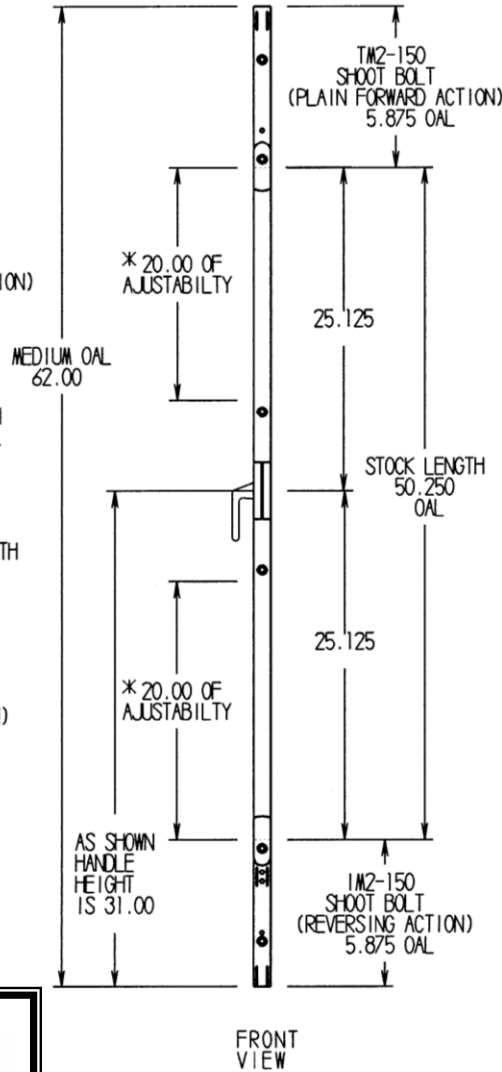
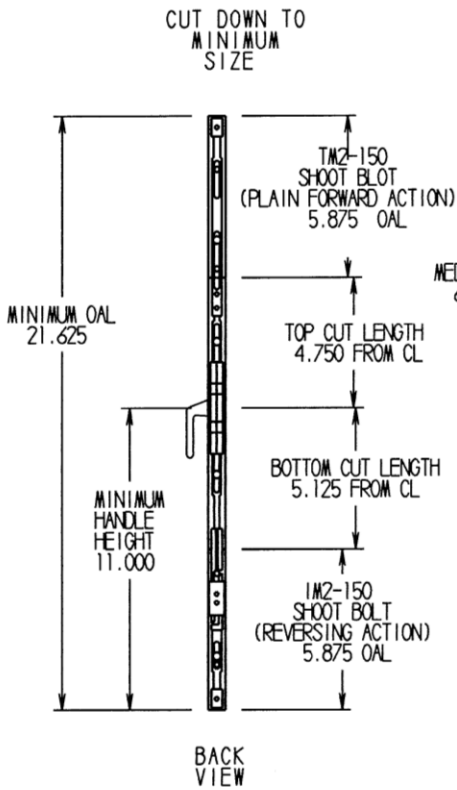
With Top and Bottom Shoot bolts only.

* 2 BACKSETS AVAILABLE
1" (25mm) 1 9/16" (40mm)

UNCUT STOCK LENGTHS
OF MECHANISM, & SHOOT BOLTS
& 2 EXTENSIONS

SIZE RANGES

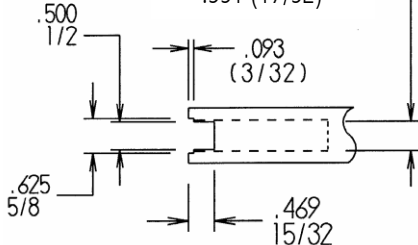
UNCUT STOCK LENGTHS
OF MECHANISM & SHOOT BOLTS



Groove Detail

MECHANISM WIDTH

.531 (17/32)



- ALL DADDO SLOTS MUST BE FREE OF PARTICULATE AND SAWDUST BEFORE AND AFTER INSTALLATION.
- TO ADJUST: CUT WITH METAL SAW WITHIN ADJUSTABILITY AREAS.
- FOR TALLER SASHES, SIMPLY ADD MORE EXTENSIONS.