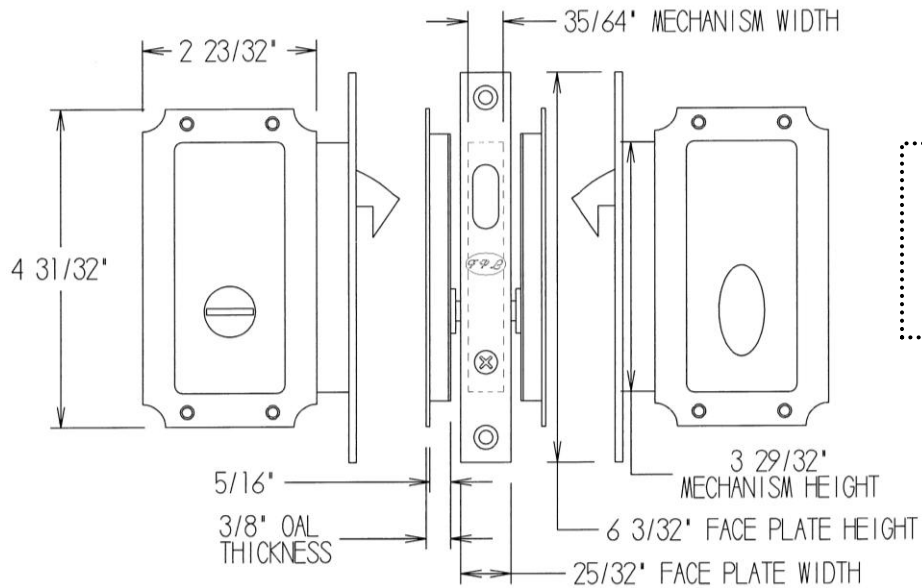


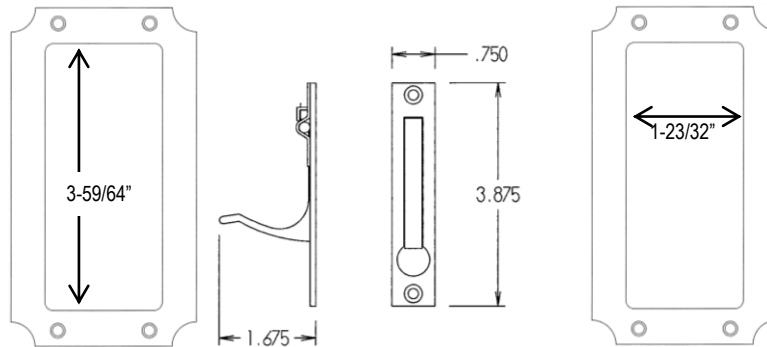
## Manor Pocket Lock – Privacy.



PRIVACY WILL FIT BOTH  $1\text{-}3/8$ " AND  $1\text{-}3/4$ " THICK DOORS.

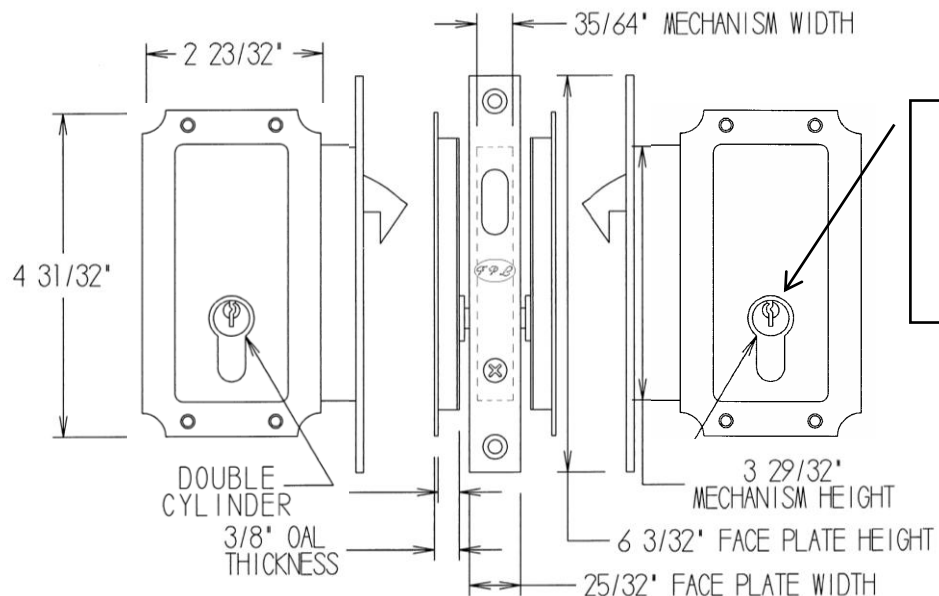
## Manor Pocket Lock - Passage.

PASSAGE COMES COMPLETE WITH 2 FLUSH PULLS AND ONE #317 EDGE PULL.



All pocket hardware sets come standard with the #317 edge pull.

## Manor Pocket Lock with Double Keyed Cylinder.



DOUBLE KEYED CYLINDER WILL FIT  $1\text{-}3/4$ " TO  $2\text{-}1/4$ " THICK DOORS.