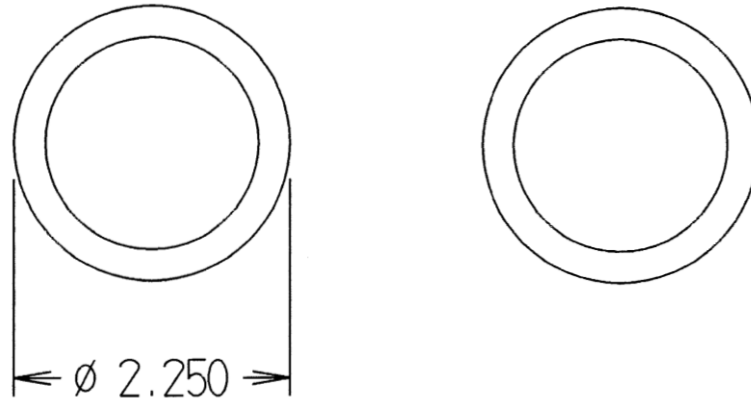


#2000 Passage (Dummy) set comes complete with 2 flush pulls and a #317 edge pull.



FOR INSTALLATION,  
DRILL 1 7/8"  
Ø ROUND HOLE

All pocket hardware sets come standard with the #317 edge pull.

